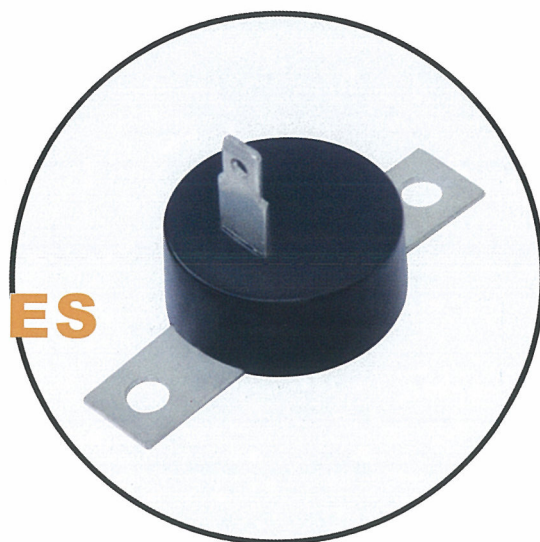


# PA SERIES

## PA系列

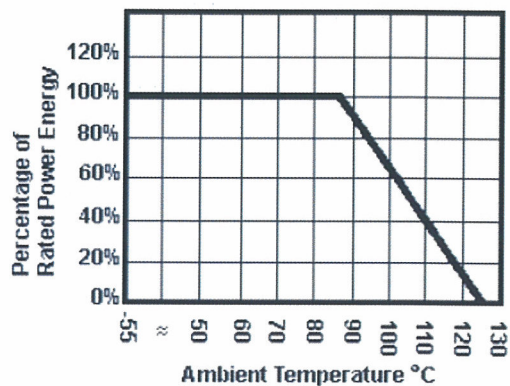
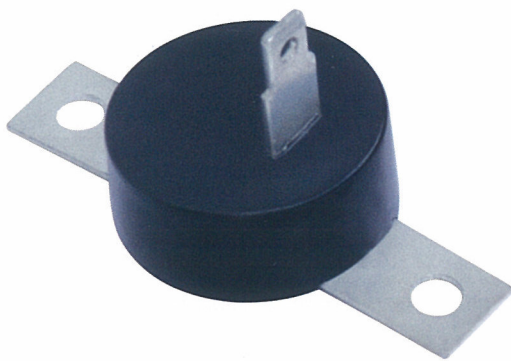


### FEATURES

特点说明

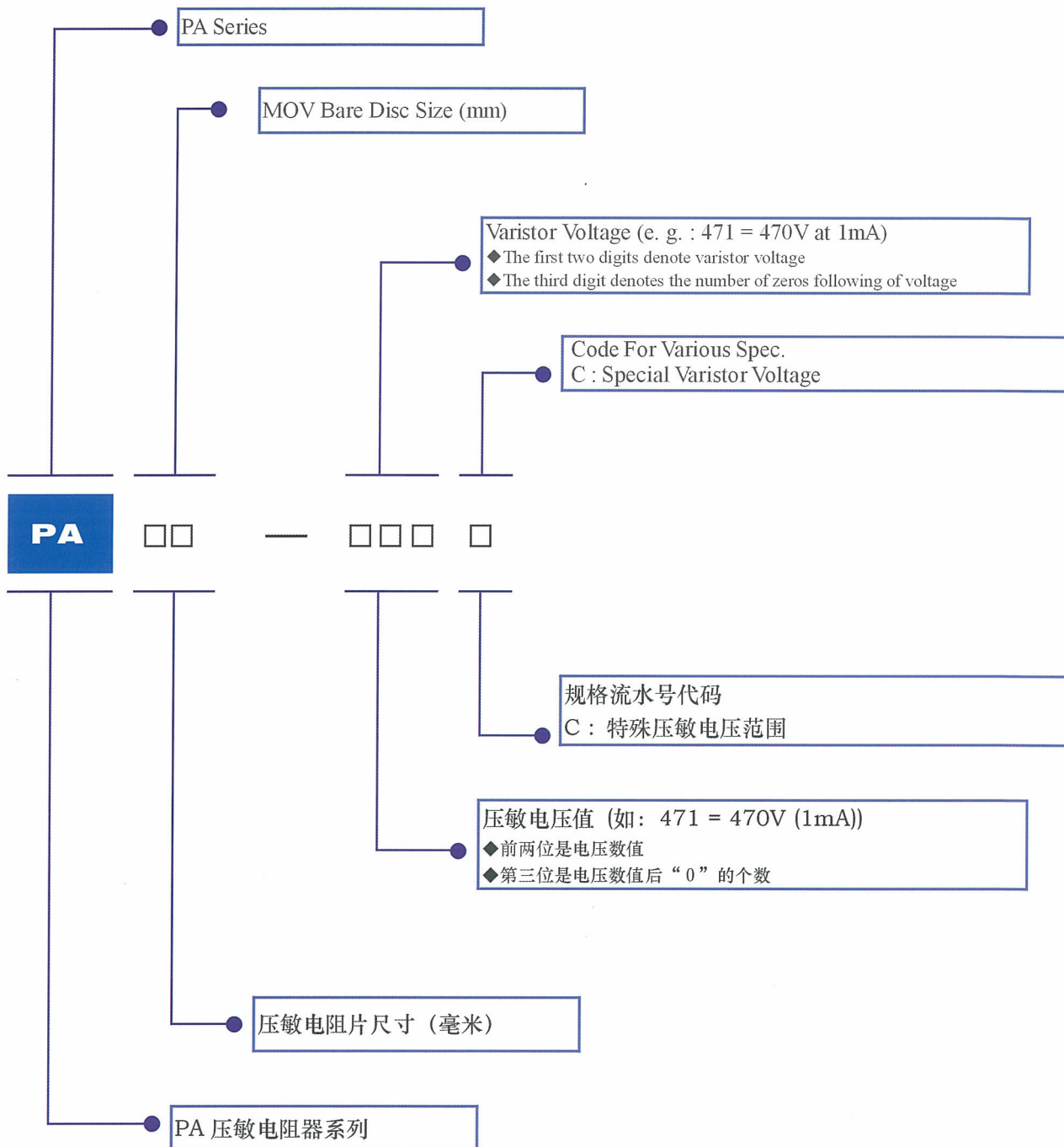
Steady State AC Voltage Range ( $V_{M(AC)RMS}$ )	稳压交流电压定值	50 V ~ 1000 V
High Peak Surge Current Rating ( $I_{TM}$ ) 8/20 $\mu$ s Pulse	高峰值冲击电流值	10K A
Single-Pulse Energy Range ( $W_{TM}$ ) 10/1000 $\mu$ s Square Wave	单次脉冲能量	56 J ~ 860 J
Average Power dissipation of transients	瞬间平均功率	< 1.00 W
Operating Temperature Range	工作温度	-55 $^{\circ}$ C ~ + 85 $^{\circ}$ C
Storage Temperature Range	贮存温度	-55 $^{\circ}$ C ~ + 125 $^{\circ}$ C
Hi-Pot Encapsulation (Isolation Voltage Capability)	绝缘耐压容量	2500 $V_{DC}$
Insulation Resistance	绝缘电阻	1000 M $\Omega$
Maximum Voltage-Temperature Coefficient	最大电压温度系数	< 0.01%/ $^{\circ}$ C
Response time	响应时间	< 25ns

**Temperature Derating Curve Power and Energy Rating vs. Temperature**



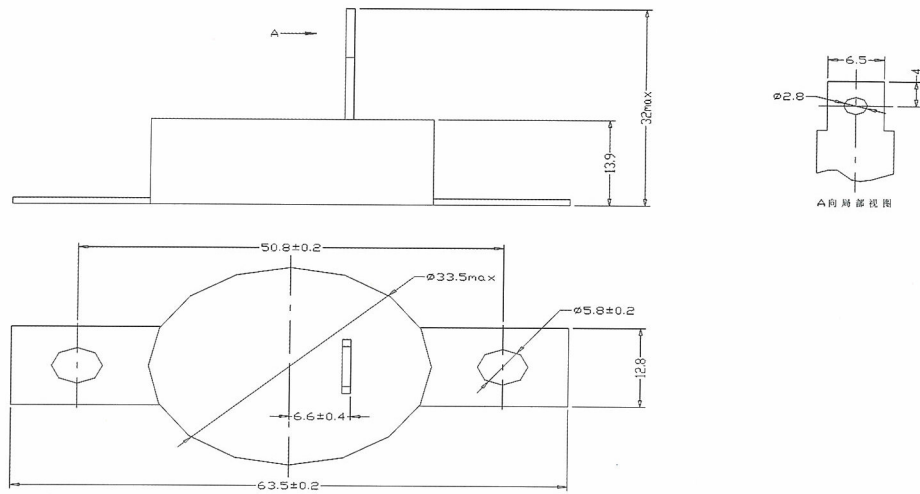
**KVR ITEM NUMBERING SYSTEM**

KVR 产品型号编码规则

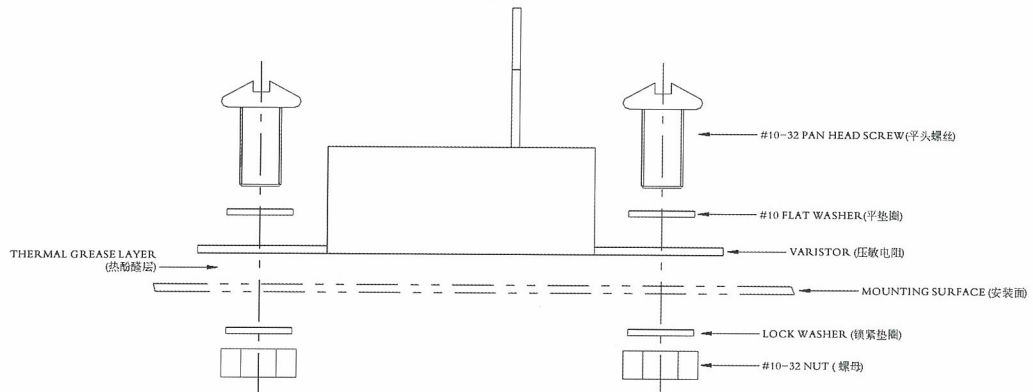


### DIMENSIONS

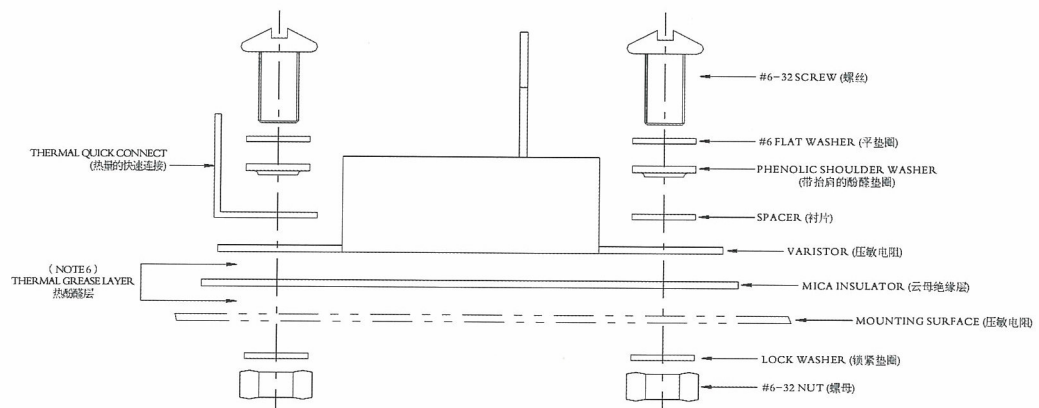
外型尺寸



TYPICAL NON-ISOLATED MOUNTING  
典型非隔离安装



TYPICAL ISOLATED MOUNTING  
典型隔离安装



### ELECTRICAL CHARACTERISTICS

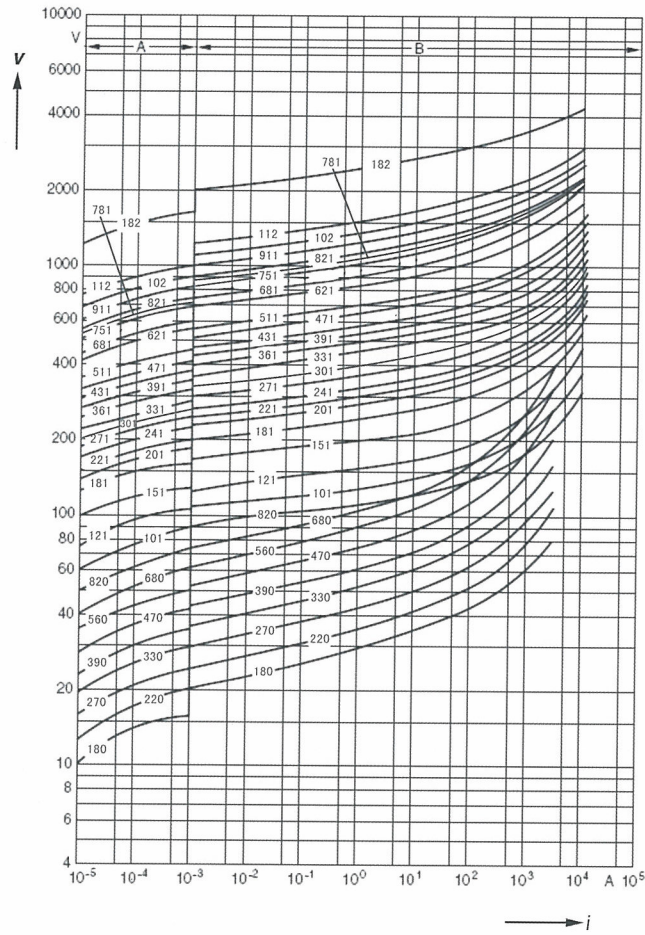
#### 电性能参数

ITEM NO. 产品型号	SPECIFICATION (25°C) 规格					MAXIMUM RATING (85°C) 最大额定值				CERTIFICATION 安规认证			
	Varistor Voltage (1mA DC) 压敏电压			@Ip Clamping Voltage 在Ip下限制电压 (8/20μs)		Continuous Voltage 连续电压		Energy 能量 10/1000μS	Peak Current 峰值电流 (8/20μs)				
	Min (V)	V <sub>NDC</sub> (V)	Max (V)	V <sub>c</sub> (V)	I <sub>p</sub> (A)	F=1KHz (pF)	V <sub>RMS</sub>			V <sub>DC</sub>	W <sub>TM</sub> (J)	I <sub>TM</sub> (KA)	
PA20-820	74	<b>82</b>	90	140	100	8200	50	65	56	10	CE	VDE	UL
PA20-101	90	<b>100</b>	110	165		8000	60	81	72				
PA20-121	108	<b>120</b>	132	200		5500	75	100	88				
PA20-151	135	<b>150</b>	165	250		4200	95	125	106				
PA20-181	163	<b>180</b>	198	300		2500	115	150	130				
PA20-201	185	<b>200</b>	225	340		2300	130	175	150				
PA20-201C			216	325									
PA20-221	198	<b>220</b>	242	360		2200	140	180	160				
PA20-221C			230	340									
PA20-241	216	<b>240</b>	264	395		2200	150	200	168				
PA20-241C			243	360									
PA20-271	255	<b>270</b>	303	455		2100	175	225	190				
PA20-271C			280	420									
PA20-301	276	<b>300</b>	330	500		1800	195	250	210				
PA20-301C			313	470									
PA20-331	297	<b>330</b>	363	550		1750	210	275	230				
PA20-331C			347	520									
PA20-361	326	<b>360</b>	396	595		1700	230	300	270				
PA20-361C			373	560									
PA20-391	354	<b>390</b>	432	650		1400	250	320	300				
PA20-391C			413	620									
PA20-431	389	<b>430</b>	473	710		1350	275	350	325				
PA20-431C			454	680									
PA20-471	425	<b>470</b>	517	775		1200	300	385	350				
PA20-471C			490	735									
PA20-511	462	<b>510</b>	561	850		1050	320	410	385				
PA20-511C			534	800									
PA20-561	509	<b>560</b>	610	915		850	350	460	390				
PA20-561C			580	870									
PA20-621	558	<b>620</b>	682	1025		570	385	505	410				
PA20-621C			650	975									
PA20-681	612	<b>680</b>	746	1120	550	420	560	430					
PA20-681C			713	1070									
PA20-751	675	<b>750</b>	825	1240	530	460	615	450					
PA20-751C			780	1170									
PA20-821	738	<b>820</b>	900	1355	530	510	670	470					
PA20-821C			856	1280									
PA20-911	819	<b>910</b>	1000	1500	4800	550	745	510					
PA20-911C			935	1400									
PA20-102	900	<b>1000</b>	1100	1650	480	625	800	565					
PA20-102C			1040	1550									
PA20-112	990	<b>1100</b>	1210	1815	400	680	860	620					
PA20-112C			1110	1650									
PA20-122	1080	<b>1200</b>	1320	2000	340	750	970	670					
PA20-122C			1215	1820									
PA20-142	1260	<b>1400</b>	1540	2310	300	880	1150	720					
PA20-142C			1470	2200									
PA20-162	1440	<b>1600</b>	1760	2700	260	1000	1200	860					
PA20-162C			1670	2500									

Transient V-I Characteristics Curves

瞬时伏安特性曲线

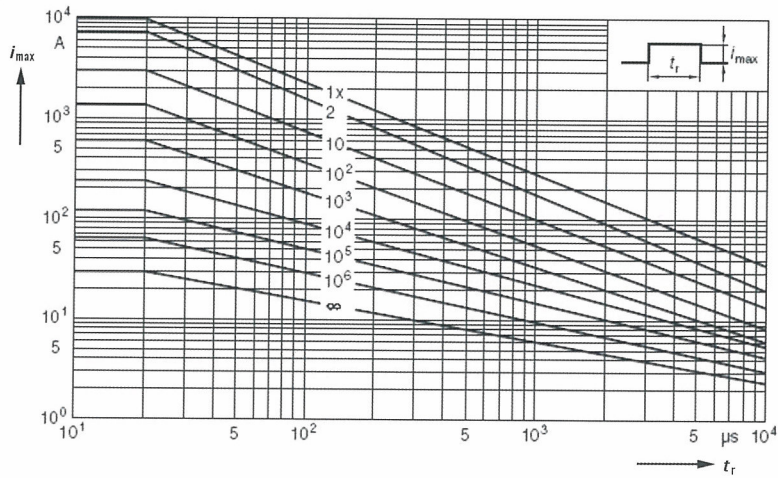
PA20-S20□ ~ PA20-162□



Pulse Rating Curves

脉冲寿命额定值曲线

PA20-S20□ ~ PA20-162□



PA SERIES